



# BLUE RIBBON CORP.

## MODEL 'BR PV' SERIES GAUGE SEALS

BR PV Series Gauge Seals allow pressure gauges, or any other pressure instrument to be used in corrosive services. The upper chamber (gauge side) is filled with a stable fluid such as glycol or glycerine. A diaphragm separates it from the lower chamber which receives the media under pressure.

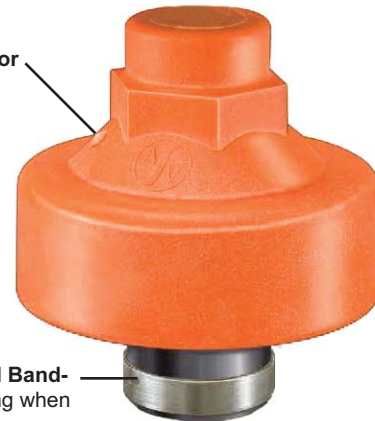
The 1/2" gauge connection allows use of the popular 2-1/2", 4" and 4-1/2" diameter gauges. Pressure switches or transmitters may also be installed. Customers can easily fill seals and install their own gauges.

### Isolate Pressure Instruments from Corrosive Media Teflon® Diaphragm

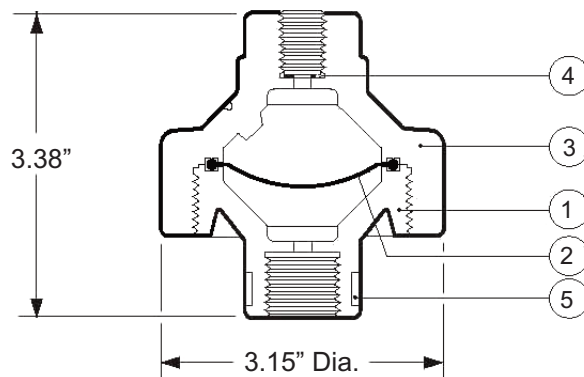
#### SPECIFICATIONS:

- Teflon® PTFE bonded Hypalon® dished diaphragm for high chemical resistance and sensitivity.
- Wide range of body materials available
- Easy to fill
- No special equipment is required.
- High Chemical Resistance
- Heavy wall connection ports
- Bottom port stainless steel reinforcing ring to eliminate splitting

Provision for  
Fill Port



Stainless Steel Band-  
Prevents splitting when  
installing



#### PARTS

NO.	PART	PCS.	MATERIALS
1	Body	1	PVC, PP, PVDF
2	Diaphragm	1	Teflon® PTFE
3	Bonnet	1	PPG
4	Gasket	1	EPDM
5	Stainless Steel Band	1	304 SS

PVC = Polyvinyl Chloride  
PP = Polypropylene  
PVDF = Polyvinylidene Fluoride  
PPG = Glass reinforced polypropylene

Blue Ribbon reserves the right to make product improvements and amendments to the product specifications stated throughout this brochure without prior notification. Please contact the factory on all critical dimensions and specifications for verification.

A5BR-PV.00 Rev A



# BLUE RIBBON CORP.

Standard Specifications listed below.  
Consult factory for further options, which may change the overall dimensions.

## WORKING PRESSURES PSI

## WEIGHTS

MATERIAL	10 - 20°C 50 - 68°F	30°C 86°F	40°C 104°F	50°C 122°F	60°C 140°F	70°C 158°F	80°C 176°F	90°C 194°F	100°C 112°F	120°C 248°F	Net Weights Pounds*
PVC	150	100	80	45	15	-	-	-	-	-	1.0
PP	150	125	100	80	65	45	-	-	-	-	0.7
PVDF	150	150	150	125	105	85	70	60	45	30	1.3

Temperature Ranges: PVC -10 to 60°C (14 to 140°F), PP: 8 to 80°C (46 to 176°F), PVDF: -30 to 120°C (-22 to 248°F).  
NR = Not Recommended. \*Weights are for unfilled 1/2" x 1/2" isolators without gauges. 1/2" x 1/4" isolators are 20% lighter.

## ORDERING GUIDE

BR PV Series Gauge Seal	A		005-	002	P
Body Material	A-PVC	B-PP	K-PVDF		
Inlet Size	002=1/4" (F)		005=1/2" (F) (Standard)		
Instrument Connection	002=1/4" (F)		005=1/2" (F)		
Diaphragm	P-Teflon® PTFE bonded EPDM				

† Other available inlet connections are 1/4" threaded, 1/2" socket or 1/2" to 1" flanged.