



BLUE RIBBON CORP.

BCP3000 SURGE PROTECTOR **



The BCP3000 Surge Protector is designed to assist in the prevention of damage to the BC001 Birdcage Submersible Level Transmitter from damaging voltage and current surges.

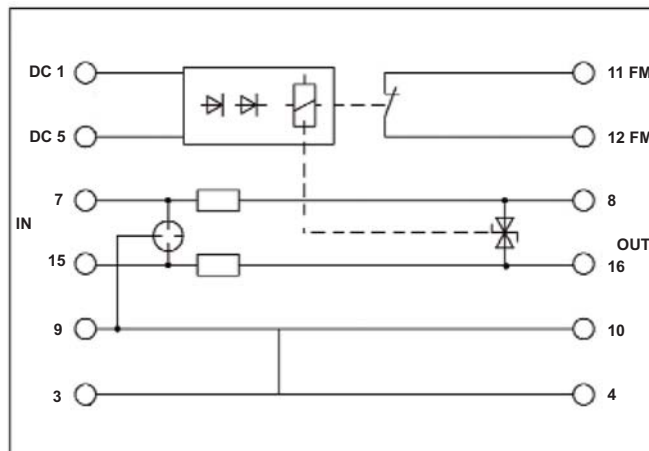
** PART 2 in the LIFE-TIME WARRANTY PACKAGE

The Blue Ribbon Birdcage transmitter now features a **LIFE-TIME WARRANTY** from damage due to lightning or voltage surges if the BCP3000 Surge Protector is properly installed and grounded.

Part 1 is the **BC001 Transmitter** that includes internal surge and lightning protection as a **standard** feature that places us above the competition.

PRODUCT OVERVIEW:

The BCP3000 is packaged as a 17.5 mm wide, Din-rail mounted, pluggable surge protector. Protection is achieved through the use of tightly coordinated hybrid circuits consisting of fast responding Surge-Arresting Diodes (SAD,) high powered current handling Gas Discharge Tubes (GDT) and a series de-coupling elements. This device applies to the 2-wire 4-20 mA output transmitters as well as the 0-5 VDC transmitters. This device is able to protect against fast rising voltage as well as current surges from lightning. Total surge protection is 20 kA (8/20) μ s. In addition, a local failure indication light on the device changes from green to red if there is a fault due to overloading. Remote failure indication is also standard on this device.



A5BCP3000.00



BLUE RIBBON CORP.

ENGINEERING SPECIFICATIONS

<u>Power:</u>		24 VDC
<u>IEC Category / EN Type:</u>		C1/C2/C3/D1
<u>Highest Continuous Voltage U_c:</u>	DC / AC	28 V / 20 V
<u>Lightning Test Current I_{imp}:</u>	Per Path	2.5 kA
<u>Nominal Current I_N:</u>		450 MA
<u>Nom Discharge surge current (8/20) μs:</u>	Core-Core	10 ka
	Core-Ground	10 kA
<u>Total Surge Current (8-20) μs:</u>		20 kA
<u>Output voltage Limitation at 1 kV/ μs:</u>	Core-Core	≤ 40 V
	Core-Ground	≤ 450 V
<u>Residual Voltage at I_N:</u>	Core-Core	≤ 40 V
<u>Response Time t_A:</u>	Core-Core	≤ 1 ns
	Core-Ground	≤ 100 ns
<u>Resistance per Path:</u>		2.2 Ω
<u>Insulation Test Voltage:</u>		500VDC
<u>Auxiliary Voltage U_N:</u>		8 VDC.38 VDC, P ≤ 0.8W
<u>Auxiliary Power:</u>		1 A max
<u>Temperature Range:</u>		-40°C - 85° C
<u>Protection:</u>		IP20
<u>Test Standard:</u>		IEC61643 / DIN EN 61643-21
<u>Remote Indication Contact:</u>		N/C Contact
<u>Maximum Operating Voltage:</u>		250 VAC
<u>Maximum Operating Current:</u>		0.2A (250 VAC) / 0.2 a (220 VDC)
<u>Dimensions:</u>	H X W x D mm	99 x 17.5 x 90

ORDERING GUIDE

MODEL NUMBER	DETAILS
BCP3000	Base plus Pluggable Surge Protector
BCP3005	Replacement Part: Pluggable Surge Protector

The Pluggable Surge Protector must be returned to Blue Ribbon with the Transmitter in order for the Life-Time Warranty to apply. Contact the Sales Department for an RMA number before returning product.