



BLUE RIBBON CORP.

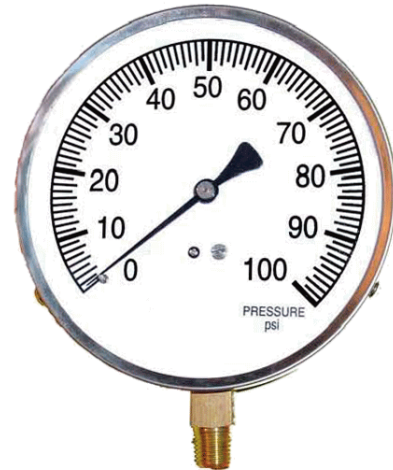
MODEL 'BR601D-454' CONTRACTOR SERIES GAUGES

These gauges have been designed and built with the contractor in mind. The price makes this the most attractive gauge for use on any project where bronze internals are suitable for use.

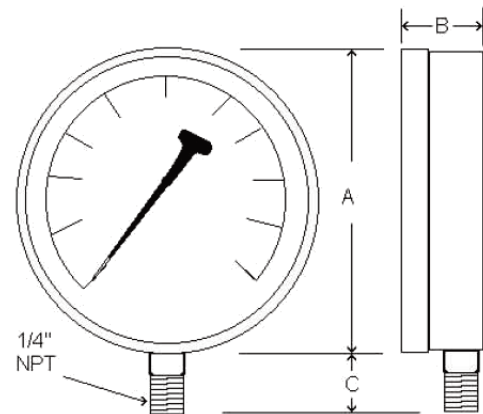
Typical applications: Air, Water, Gas, Oil and Steam* (* A pigtail siphon should always be used when putting any gauge into steam service).

SPECIFICATIONS:

- Available Dial Size: 4.5"
- Stainless Steel Case
(For rust and corrosion resistance)
- Plastic Lens
(Resist breakage & won't shatter)
- Accuracy: $\pm 1\%$
- Zero adjust screw on dial
(For additional fine tuning)
- Large easy to read numbers
(On single scale Psi only dial)



RANGE	MAJOR	MINOR
30" HG VAC	5" HG	2" HG
30/0/30	5 PSI	1 PSI
30/0/100	10 PSI	1 PSI
30/0/160	25 PSI	2.5 PSI
0/15	2.5 PSI	.25 PSI
0/30	5 PSI	1 PSI
0/60	10 PSI	1 PSI
0/100	10 PSI	1 PSI
0/160	20 PSI	2 PSI
0/200	20 PSI	2 PSI
0/300	50 PSI	5 PSI
0/500	50 PSI	5 PSI



	A	B	C
INCHES	4.9"	1.17"	.97"
MM	124	30	25

Blue Ribbon reserves the right to make product improvements and amendments to the product specifications stated throughout this brochure without prior notification. Please contact the factory on all critical dimensions and specifications for verification.

A5BR-601D454.00 Rev A