



MODEL 'BR4501' PROCESS GAUGE

STANDARD SPECIFICATIONS:

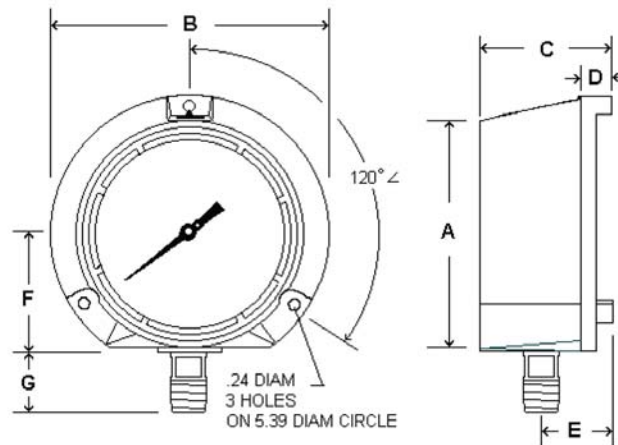
- DIAL: 4½" Diameter
- CASE: Phenolic-Solid Front/Blow-Out Back
- LENS: Plastic Shatterproof
- POINTER: Micro-Adjustable
- BOURDON TUBE: AISI 316 Stainless Steel
- SOCKET: AISI 316 Stainless Steel
- MOVEMENT: 304 SS
- ACCURACY: 0.5 % Full Scale (ANSI Grade 2A)

STANDARD FEATURES:

- * Overload And Underload Stops
- * Hermetically Sealed/Weather Proof
- * Liquid Fillable / No Kit Required
- * **Best Product Best Price Best Value!!**



RANGE	FIGURES	MINOR INC.
30/0 hg vac	5"	0.2"
30/0/15	10" & 5 PSI	1" & 0.5 PSI
30/0/30	10" & 5 PSI	1" & 0.5 PSI
30/0/60	10" & 10 PSI	2" & 1 PSI
30/0/100	10" & 20 PSI	2" & 1 PSI
30/0/150	10" & 30 PSI	5" & 2 PSI
30/0/200	10" & 50 PSI	5" & 2 PSI
30/0/300	10" & 50 PSI	10" & 5 PSI
30/0/600	10" & 100 PSI	10" & 10 PSI
0/15 PSI	3 PSI	0.2 PSI
0/30 PSI	5 PSI	0.2 PSI
0/60 PSI	5 PSI	0.5 PSI
0/100 PSI	10 PSI	1 PSI
0/160 PSI	20 PSI	1 PSI
0/200 PSI	20 PSI	2 PSI
0/300 PSI	50 PSI	2 PSI
0/400 PSI	50 PSI	2 PSI
0/600 PSI	50 PSI	5 PSI
0/800 PSI	100 PSI	5 PSI
0/1000 PSI	100 PSI	10 PSI
0/1500 PSI	250 PSI	10 PSI
0/2000 PSI	200 PSI	20 PSI
0/3000 PSI	500 PSI	20 PSI
0/5,000 PSI	1,000 PSI	50 PSI
0/10,000 PSI	1,000 PSI	100 PSI
0/15,000 PSI	2,500 PSI	100 PSI
0/20,000 PSI	2,000 PSI	200 PSI



		A	B	C	D	E	F	G
½" or ¼" NPT	In.	5.07"	5.91"	3.03"	.91"	1.38"	2.56"	1.38"
	MM	129	150	77	23	35	65	35