



BLUE RIBBON CORP.

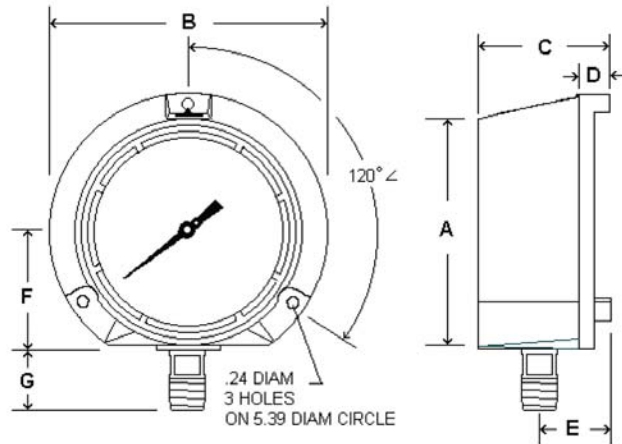
MODEL 'BR411D / BR411L' PROCESS GAUGE

SPECIFICATIONS:

- Available Dial Size: 4½"
- Phenolic–Solid Front/Blow-Out Back Case
- Plastic Shatterproof Lens
- Micro-Adjustable Pointer
- AISI 316 Stainless Steel Bourdon Tube
- AISI 316 Stainless Steel Socket
- 304 SS Movement
- Accuracy: 0.5% Full Scale (ANSI Grade 2A)
- Overload And Underload stops
- Hermetically Sealed/Weather Proof
- Liquid Fillable / No Kit Required



RANGE	FIGURES	MINOR INC.
30/0 hg vac	5"	0.2"
30/0/15	10" & 5 PSI	1" & 0.5 PSI
30/0/30	10" & 5 PSI	1" & 0.5 PSI
30/0/60	10" & 10 PSI	2" & 1 PSI
30/0/100	10" & 20 PSI	2" & 1 PSI
30/0/150	10" & 30 PSI	5" & 2 PSI
30/0/200	10" & 50 PSI	5" & 2 PSI
30/0/300	10" & 50 PSI	10" & 5 PSI
30/0/600	10" & 100 PSI	10" & 10 PSI
0/15 PSI	3 PSI	0.2 PSI
0/30 PSI	5 PSI	0.2 PSI
0/60 PSI	5 PSI	0.5 PSI
0/100 PSI	10 PSI	1 PSI
0/160 PSI	20 PSI	1 PSI
0/200 PSI	20 PSI	2 PSI
0/300 PSI	50 PSI	2 PSI
0/400 PSI	50 PSI	2 PSI
0/600 PSI	50 PSI	5 PSI
0/800 PSI	100 PSI	5 PSI
0/1000 PSI	100 PSI	10 PSI
0/1500 PSI	250 PSI	10 PSI
0/2000 PSI	200 PSI	20 PSI
0/3000 PSI	500 PSI	20 PSI
0/5,000 PSI	1,000 PSI	50 PSI
0/10,000 PSI	1,000 PSI	100 PSI
0/15,000 PSI	2,500 PSI	100 PSI
0/20,000 PSI	2,000 PSI	200 PSI



		A	B	C	D	E	F	G
½" or ¼" NPT	In.	5.07"	5.91"	3.03"	.91"	1.38"	2.56"	1.38"
	MM	129	150	77	23	35	65	35

Blue Ribbon reserves the right to make product improvements and amendments to the product specifications stated throughout this brochure without prior notification. Please contact the factory on all critical dimensions and specifications for verification.

A5BR-411D.00 Rev A