

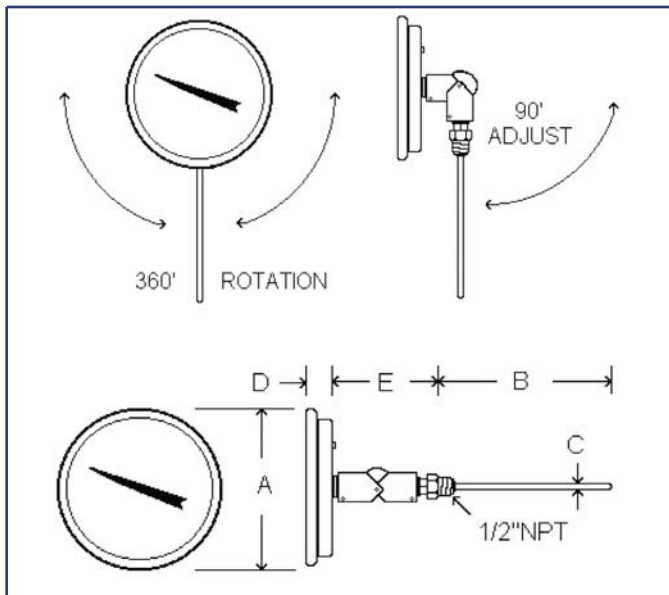


# BLUE RIBBON CORP.

## MODEL 'BR3A' or 'BR5A' BIMETAL THERMOMETER ADJUSTABLE ANGLE TYPE

### STANDARD FEATURES:

- All Stainless Construction
- With Glass Lens
- Anti-Parallax Dial
- Vibration Resistant (Reduced Needle Flutter)
- Fast Response To Temperature Change
- Hermetically Sealed (Moisture Proof)
- Accuracy: +/- 1 % Full Scale
- Stem Welded To Connection



STEM LENGTH*	PART NUMBER	PART NUMBER
2 1/2"	BR3A-2	BR5A-2
4"	BR3A-4	BR5A-4
6"	BR3A-6	BR5A-6
9"	BR3A-9	BR5A-9
12"	BR3A-12	BR5A-12
15"	BR3A-15	BR5A-15
18"	BR3A-18	BR5A-18
24"	BR3A-24	BR5A-24

DIAL		A	B	C	D	E
5" DIAL	IN.	5.13"	STEM LENGTH	1/4"	.67"	3.3"
	MM	130.39	STEM LENGTH	6.45	16.95	83.87
3" DIAL	IN.	3.13"	STEM LENGTH	1/4"	.67"	3.3"
	MM	78	STEM LENGTH	6.45	16.95	83.87

STANDARD RANGES*	
CODE	RANGE
TA	-40/120 F & C
TB	-40/160 F & C
TE	0/150 F & C
TG	0/200 F & C
TJ	20/240 F & C
TI	0/250 F & C
TM	50/300 F & C
TP	50/400 F & C
TR	50/550 F & C
TS	150/750 F & C
TT	200/1000 F & C

Blue Ribbon reserves the right to make product improvements and amendments to the product specifications stated throughout this brochure without prior notification. Please contact the factory on all critical dimensions and specifications for verification.

A5BR-3A.00 Rev A

2770 Long Road, Grand Island, NY 14072

Tel. (716) 773-9300 • Fax (716) 773-5019 • brsales@blueribboncorp.com • www.blueribboncorp.com