



BLUE RIBBON CORP.

MODEL 'BR304L' PANEL MOUNT ALL STAINLESS GAUGES

Our '300' series gauge line is a high quality line of all stainless steel gauges. Hermetically sealing the gauge prevents dust, dirt or other contaminants from entering the case of the gauge and attacking the movement or internals of the gauge. Keeping out such contaminants prolongs the life of the gauge.

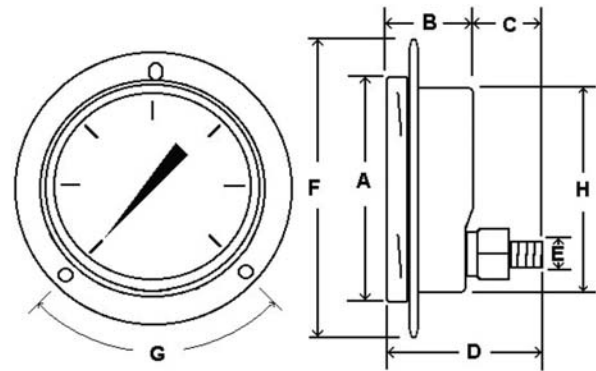
This gauge is typically used in chemical processing or food processing applications as well as any commercial or industrial application where stainless steel components are necessary.

SPECIFICATIONS:

- Front Flange Panel Mount Design
- Available Dial Sizes: 2 1/2" and 4"
- Available Connection Sizes: 1/4"(M)NPT
(1/2" Available)
- Stainless Steel Case
- Stainless Steel Removable Bezel
- Stainless Steel Internals & Connection
- 316SS Bourdon Tube
- Dry but Fillable
- Accuracy: 1 1/2", 2", 2 1/2" Dial = 1.6 %
4" Dial = 1 %
- Ambient temperature: FILLED: 30°F to 160°F
DRY: -30°F to 180°F



RANGE	CODE	MAJOR INC.	MINOR INC.
30/0" VAC	A	5	0.5
30/0/15	CB	5	0.5
30/0/30	CC	10	1
30/0/60	CD	10	1
30/0/100	CE	20	2
30/0/150	CF	20	2
30/0/300	CH	50	10
0/15	B	2	0.2
0/30	C	5	0.5
0/60	D	10	1
0/100	E	10	1
0/160	F	20	2
0/200	G	20	2
0/300	H	30	5
0/400	I	50	5
0/600	K	100	10
0/1000	M	200	20
0/1500	N	300	25
0/2000	O	200	20
0/3000	P	500	50
0/5000	R	500	50
0/10,000	U	1000	100
0/15,000	V	3000	250



		A	B	C	D	E	F	G	H
4" DIAL	In.	4.36"	1.73"	1.34"	3.07"	1/4"	5.22"	4.05"	3.84"
	MM	111	44	34	78	(M)NPT	132	103	97
2 1/2" DIAL	In.	2.80"	1.28"	1.19"	2.46"	1/4"	3.48"	2.50"	2.45"
	MM	71	33	30	63	(M)NPT	88	64	63

Blue Ribbon reserves the right to make product improvements and amendments to the product specifications stated throughout this brochure without prior notification. Please contact the factory on all critical dimensions and specifications for verification.

A5BR-304L.00 Rev A