



BLUE RIBBON CORP.

MODEL 'BR301L'

BOTTOM CONNECTED ALL STAINLESS GAUGES

Our '300' series gauge line is a high quality line of liquid filled gauges. The glycerine filling helps dampen the effects of vibration, which will extend the life of the gauge.

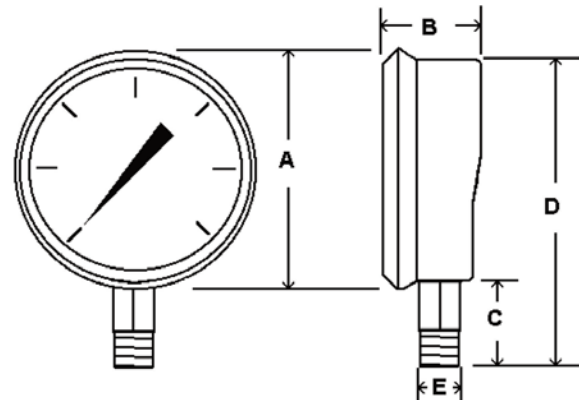
This gauge is typically used on hydraulic & pneumatic systems as well as any commercial or industrial application not corrosive to 316LSS wetted parts where glycerine filling is suitable for use.

SPECIFICATIONS:

- Available Dial Sizes: 2 1/2" and 4"
- Available Connection Sizes:
1/4"(M)NPT on 2 1/2" and 4"
1/2"(M)NPT on 4"
- Stainless Steel Case And Bezel
- Stainless Steel Internals
- 316 SS Bourdon Tube & Connection
- Liquid Filled (Dry Available)
- Accuracy: 2 1/2" Dial = 1.6 %
4" Dial = 1 %
- Dual Scale: PSI & Bar (x100=kPa)
- Single Scale available
- Ambient temperature: FILLED: 30°F to 160°F
DRY: -30°F to 180°F



RANGE	CODE	MAJOR INC.	MINOR INC.
30/0" VAC	A	5	0.5
30/0/15	CB	5	0.5
30/0/30	CC	10	1
30/0/60	CD	10	1
30/0/100	CE	20	2
30/0/150	CF	20	2
30/0/300	CH	50	10
0/15	B	2	0.2
0/30	C	5	0.5
0/60	D	10	1
0/100	E	20	2
0/160	F	20	2
0/200	G	40	4
0/300	H	50	5
0/400	I	50	5
0/500	J	100	10
0/600	K	100	10
0/800	L	100	10
0/1000	M	200	20
0/1500	N	200	20
0/2000	O	400	50
0/3000	P	500	50
0/4000	Q	500	50
0/5000	R	1000	100
0/6000	S	2000	200
0/10,000	U	2000	200
0/15,000	V	2000	200



		A	B	C	D	E
2 1/2" DIAL	In.	2.80"	1.28"	1.07"	3.55"	1/4"
	MM	71	33	27	90	(M)NPT
4" DIAL	In.	4.32"	1.63"	1.25"	5.57"	1/4" or 1/2"
	MM	110	42	32	141	(M)NPT

Blue Ribbon reserves the right to make product improvements and amendments to the product specifications stated throughout this brochure without prior notification. Please contact the factory on all critical dimensions and specifications for verification.

A5BR-301L.00 Rev A

2770 Long Road, Grand Island, NY 14072

Tel. (716) 773-9300 • Fax (716) 773-5019 • brsales@blueribboncorp.com • www.blueribboncorp.com