

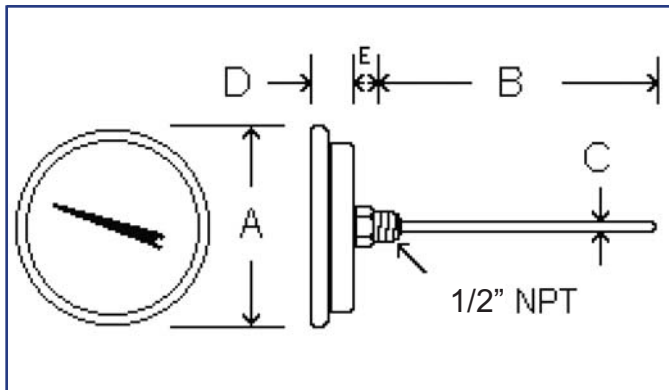


BLUE RIBBON CORP.

MODEL 'BR3' or 'BR5' 3" or 5" DIAL BIMETAL THERMOMETER 90° BACK ANGLE TYPE

SPECIFICATIONS:

- All Stainless Construction
- Glass Lens
- Anti-Parallax Dial
- Vibration Resistant (No Needle Flutter)
- Fast Response To Temperature Change
- Hermetically Sealed (Moisture Proof)
- Accuracy: +/- 1 % Full Scale
- 316SS Stem Material
- Stem Welded To Connection
- Zero Adjustment on Back of Case



STEM LENGTH*	PART NUMBER	
	3" DIAL	5" DIAL
2 1/2"	BR3-2	BR5-2
4"	BR3-4	BR5-4
6"	BR3-6	BR5-6
9"	BR3-9	BR5-9
12"	BR3-12	BR5-12
15"	BR3-15	BR5-15
18"	BR3-18	BR5-18
24"	BR3-24	BR5-24

		A	B	C	D	E
3" DIAL	IN.	3.18"	STEM LENGTH	.25"	.60"	.38"
	MM	80.78	STEM LENGTH	6.45	15.24	9.76
5" DIAL	IN.	5.13"	STEM LENGTH	.25"	.67"	.38"
	MM	130.87	STEM LENGTH	6.45	16.95	9.76

STANDARD RANGES*	
CODE	RANGE
TA	-40/120 F & C
TB	-40/160 F & C
TE	0/150 F & C
TG	0/200 F & C
TJ	20/240 F & C
TI	0/250 F & C
TM	50/300 F & C
TP	50/400 F & C
TR	50/550 F & C
TS	150/750 F & C
TT	200/1000 F & C

Blue Ribbon reserves the right to make product improvements and amendments to the product specifications stated throughout this brochure without prior notification. Please contact the factory on all critical dimensions and specifications for verification.

A5BR-BR3.00 Rev A