



BLUE RIBBON CORP.

MODEL 'BR201L' BOTTOM CONNECTED LIQUID FILLED GAUGES

Our '200' series gauge line is a high quality line of liquid filled gauges. The glycerine filling helps dampen the effects of vibration, which will extend the life of the gauge.

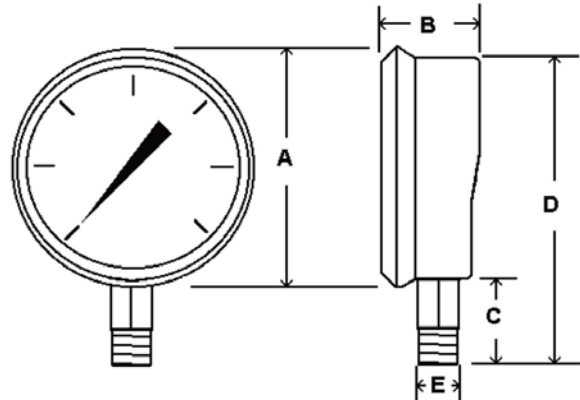
This gauge is typically used on hydraulic & pneumatic systems as well as any commercial or industrial application not corrosive to brass and bronze wetted parts where glycerine filling is suitable for use.

SPECIFICATIONS:

- Available Dial Sizes: 1 1/2", 2", 2 1/2" and 4"
- Available Connection Sizes: 1/8"(M)NPT on 1 1/2" & 2"
1/4"(M)NPT on 2", 2 1/2" and 4"
1/2"(M)NPT on 4"
- Stainless Steel Case And Bezel
- Brass Internals & Connection
- Phosphor Bronze Bourdon Tube
- Liquid Filled (Dry Available)
- Accuracy: 1 1/2" and 2" Dial = 2%
2 1/2" Dial = 1.6%
4" Dial = 1%
- Dual Scale: PSI & Bar (x100=kPa)
- Single Scale available
- Ambient temperature: FILLED: 30°F to 160°F
DRY: -30°F to 180°F



RANGE	CODE	MAJOR INC.	MINOR INC.
30/0" VAC	A	5	0.5
30/0/15	CB	5	0.5
30/0/30	CC	10	1
30/0/60	CD	10	1
30/0/100	CE	20	2
30/0/150	CF	20	2
30/0/300	CH	50	10
0/15	B	2	0.2
0/30	C	5	0.5
0/60	D	10	1
0/100	E	20	2
0/160	F	20	2
0/200	G	40	4
0/300	H	50	5
0/400	I	50	5
0/500	J	100	10
0/600	K	100	10
0/800	L	100	10
0/1000	M	200	20
0/1500	N	200	20
0/2000	O	400	50
0/3000	P	500	50
0/4000	Q	500	50
0/5000	R	1000	100
0/6000	S	2000	200
0/10,000	U	2000	200
0/15,000	V	2000	200



		A	B	C	D	E
1 1/2" DIAL	In.	1.88"	1.06"	.89"	2.77"	1/8" (M)NPT
	MM	48	27	23	58	
2" DIAL	In.	2.24"	1.27"	.71"	2.80"	1/8" or 1/4" (M)NPT
	MM	57	32	23	71	
2 1/2" DIAL	In.	2.80"	1.28"	1.07"	3.55"	1/4" (M)NPT
	MM	71	33	27	90	
4" DIAL	In.	4.32"	1.63"	1.25"	5.57"	1/4" or 1/2" (M)NPT
	MM	110	42	32	141	

Blue Ribbon reserves the right to make product improvements and amendments to the product specifications stated throughout this brochure without prior notification. Please contact the factory on all critical dimensions and specifications for verification.

A5BR-201L.00 Rev A

2770 Long Road, Grand Island, NY 14072

Tel. (716) 773-9300 • Fax (716) 773-5019 • brsales@blueribboncorp.com • www.blueribboncorp.com