

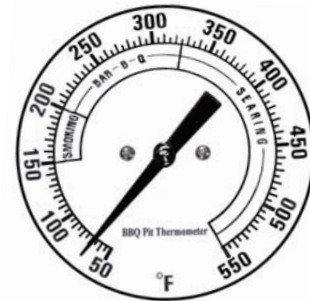
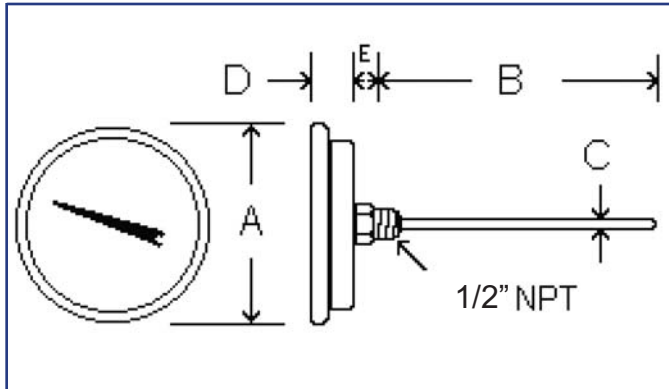


BLUE RIBBON Sales & Services Corp.

“BBQ-1” BIMETAL THERMOMETER 90° BACK ANGLE TYPE ‘BBQ-1’

STANDARD FEATURES:

- All Stainless Construction
- With Heavy Duty Glass Lens
- Anti-Parallax Dial
- Vibration Resistant (No Needle Flutter)
- Fast Response To Temperature Change
- Hermetically Sealed (Moisture Proof)
- +/- 1 % Full Scale Accuracy
- 316SS Stem Material
- Stem Welded To Connection
- Zero Adjustment on Back of Case



		A	B	C	D	E
3" DIAL	IN.	3.18"	STEM LENGTH	.25"	.60"	.38"
	MM	80.78	STEM LENGTH	6.45	15.24	9.76

PART NUMBER	STEM LENGTH*
BBQ-1	21/2"
STANDARD RANGE	
50/550 F&C	

Blue Ribbon reserves the right to make product improvements and amendments to the product specifications stated throughout this brochure without prior notification. Please contact the factory on all critical dimensions and specifications for verification.

A5BR-BBQ-1.00