

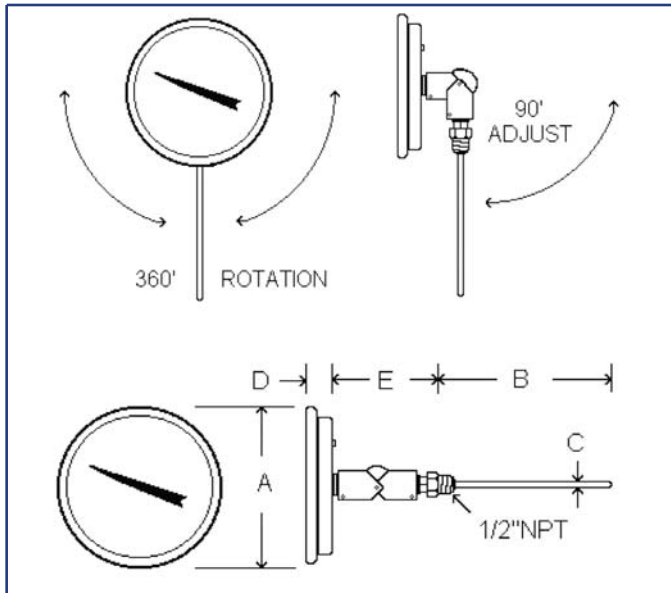


# BLUE RIBBON Sales & Services Corp.

## BIMETAL THERMOMETER ADJUSTABLE ANGLE TYPE 'B5A'

### STANDARD FEATURES:

- All Stainless Construction
- With Glass Lens
- Anti-Parallax Dial
- Vibration Resistant (Reduced Needle Flutter)
- Fast Response To Temperature Change
- Hermetically Sealed (Moisture Proof)
- +/- 1 % Full Scale Accuracy
- Stem Welded To Connection



STEM LENGTH*	PART NUMBER
2 1/2"	B5A2
4"	B5A4
6"	B5A6
9"	B5A9
12"	B5A12
15"	B5A15
18"	B5A18
24"	B5A24

\*For 3" Dial Size change 'B5A' to B3A'

STANDARD RANGES*	
CODE	RANGE
AA	-40/120 F & C
BB	-40/160 F & C
EE	0/150 F & C
GG	0/200 F & C
JJ	20/240 F & C
II	0/250 F & C
MM	50/300 F & C
PP	50/400 F & C
RR	50/550 F & C
SS	150/750 F & C
TT	200/1000 F & C

DIAL	A	B	C	D	E	
5" DIAL	IN.	5.13"	STEM LENGTH	1/4"	.67"	3.3"
	MM	130.39	STEM LENGTH	6.45	16.95	83.87
3" DIAL	IN.	3.13"	STEM LENGTH	1/4"	.67"	3.3"
	MM	78	STEM LENGTH	6.45	16.95	83.87

Blue Ribbon reserves the right to make product improvements and amendments to the product specifications stated throughout this brochure without prior notification. Please contact the factory on all critical dimensions and specifications for verification.

A5BR-B5A.00