

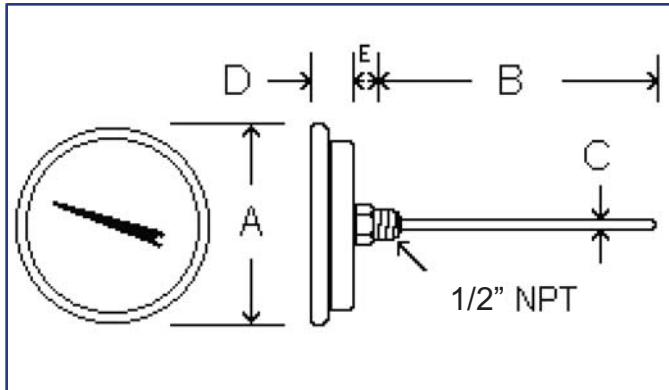


BLUE RIBBON Sales & Services Corp.

3" OR 5" DIAL BIMETAL THERMOMETER 90° BACK ANGLE TYPE 'B3B & B5B'

STANDARD FEATURES:

- All Stainless Construction
- With Glass Lens
- Anti-Parallax Dial
- Vibration Resistant (No Needle Flutter)
- Fast Response To Temperature Change
- Hermetically Sealed (Moisture Proof)
- +/- 1 % Full Scale Accuracy
- 316SS Stem Material
- Stem Welded To Connection
- Zero Adjustment on Back of Case



STEM LENGTH*	PART NUMBER	
	3" DIAL	5" DIAL
2 1/2"	B3B2	B5B2
4"	B3B4	B5B4
6"	B3B6	B5B6
9"	B3B9	B5B9
12"	B3B12	B5B12
15"	B3B15	B5B15
18"	B3B18	B5B18
24"	B3B24	B5B24

		A	B	C	D	E
3" DIAL	IN.	3.18"	STEM LENGTH	.25"	.60"	.38"
	MM	80.78	STEM LENGTH	6.45	15.24	9.76
5" DIAL	IN.	5.13"	STEM LENGTH	.25"	.67"	.38"
	MM	130.87	STEM LENGTH	6.45	16.95	9.76

STANDARD RANGES*	
CODE	RANGE
AA	-40/120 F & C
BB	-40/160 F & C
EE	0/150 F & C
GG	0/200 F & C
JJ	20/240 F & C
II	0/250 F & C
MM	50/300 F & C
PP	50/400 F & C
RR	50/550 F & C
SS	150/750 F & C
TT	200/1000 F & C

Blue Ribbon reserves the right to make product improvements and amendments to the product specifications stated throughout this brochure without prior notification. Please contact the factory on all critical dimensions and specifications for verification.

A5BR-B3B.00