



Pressure Snubber with Choke Valve

APPLICATIONS:

- Pulsation application
- Heavy duty process applications
- Industrial applications

FEATURES:

- Adjustable Pressure Pulsation Dampener protects pressure gauges against pressure perturbation, surges and fluid hampers
- Isolates gauge for service or replacement

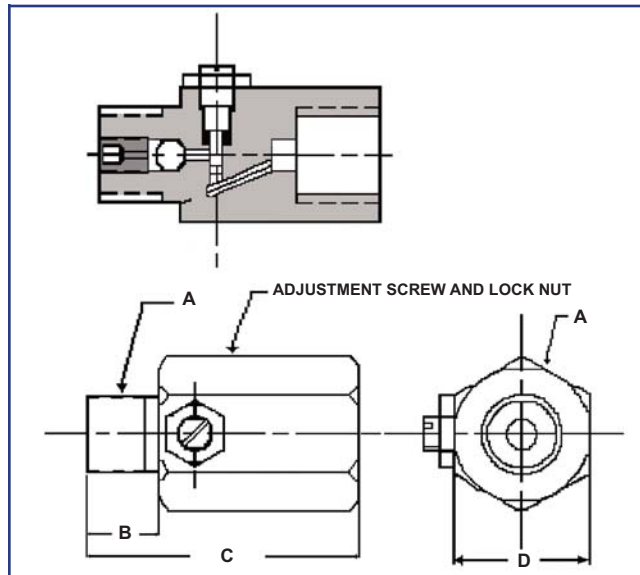


PRESSURE RANGES:

- 0-20 In.WC to 0-500 PSI
(see ordering guide.)

ACCURACY:

- Based on part number
Ranges from 3,000 to 10,000 PSI



PART #	"A" THD. SIZE	"B"	"C"	"D" HEX	MAXIMUM PRESSURE
MSB4	1/4-18NPT	.51 (13MM)	1.77 (45MM)	.67 (17MM)	3,000 PSI
MSS4	1/4-18NPT	.51 (13MM)	1.77 (45MM)	.67 (17MM)	5,000 PSI
MSB6	3/8-18NPT	.59 (16MM)	2.36 (60MM)	1.18 (30MM)	5,000 PSI
MSS6	3/8-18NPT	.59 (16MM)	2.36 (60MM)	1.18 (30MM)	10,000 PSI
MSB8	1/2-1/4-NPT	.79 (20MM)	2.36 (60MM)	1.18 (30MM)	5,000 PSI
MSS8	1/2-1/4-NPT	.79 (20MM)	2.36 (60MM)	1.18 (30MM)	10,000 PSI

Blue Ribbon reserves the right to make product improvements and amendments to the product specifications stated throughout this brochure without prior notification. Please contact the factory on all critical dimensions and specifications for verification.

A5BR-B4.00

477 Commerce Way, Suite 109, Longwood, FL 32750

Tel. (877) 677-8899 • Fax (407) 657-6622 • brsales@blueribboncorp.com • www.blueribboncorp.com