



BLUE RIBBON CORP.

2770 Long Road, Grand Island, NY 14072 USA
Tel. (716) 773-9300 • Fax (716) 773-5019
BrSales@BlueRibbonCorp.com • www.BlueRibbonCorp.com

DUAL - INPUT PUMP CONTROLLER MODEL BD306



Features:

- Dual-Input Process Controller with Math Functions
- 0-20 mA, 4-20 mA, 0-5 V, 1-5 V, and ± 10 V Inputs
- Large Dual-Line 6-Digit Display, 0.60" & 0.46"
- NEMA 4X, IP65 Front
- Universal 85-265 VAC, or 12/24 VDC Input Power Models
- Programmable Display & Function Keys
- 32-Point, Square Root, or Exponential Linearization
- Multi-Pump Alternation Control
- USB, RS-232, RS-485 Serial Communication Options
- Modbus® RTU Communication Protocol Standard
- Free BULLDOG Pro Software for Operation, Monitoring, and Programming
- Standard 1/8 DIN (45mm x 92mm)

Optional Features:

- 4 Relays + Isolated 4-20 mA Output Options
- External 4-Relay & Digital I/O Expansion Modules
- Sunlight Readable Display Models - Optional

Blue Ribbon reserves the right to make product improvements and amendments to the product specifications stated throughout this brochure without prior notification. Please contact the factory on all critical dimensions and specifications for verification.



BLUE RIBBON CORP.

2770 Long Road, Grand Island, NY 14072 USA
 Tel. (716) 773-9300 • Fax (716) 773-5019

BrSales@BlueRibbonCorp.com • www.BlueRibbonCorp.com

DUAL - INPUT PUMP CONTROLLER MODEL BD306

ORDERING GUIDE:

BD306 - XXX

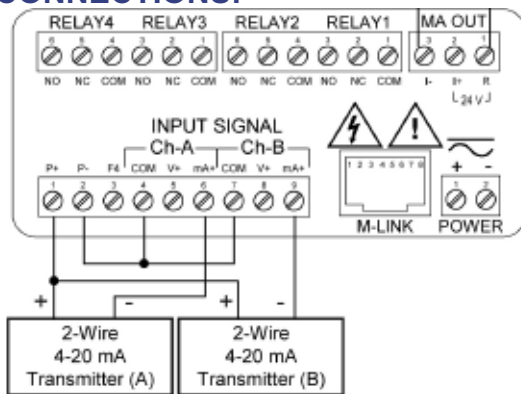
Part No.

X = Voltage
 1 = 85-298 VAC Model
 2 = 24 VDC Model

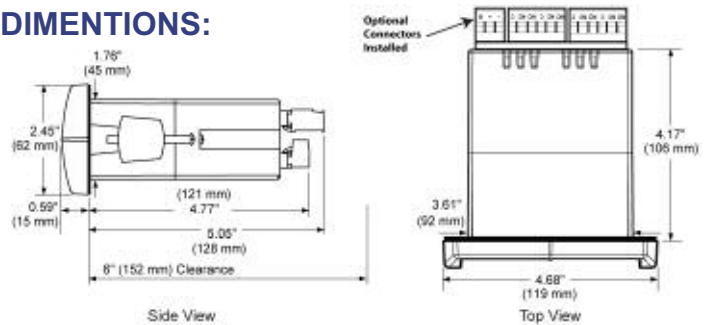
XX = Relay Outputs
 0 = Relay Outputs
 1 = 4-20 mA retransmit Output
 2 = 2 Relay Outputs
 3 = 2 Relay Outputs & 4-20 mA retransmit Output
 4 = 4 Relay Outputs
 5 = 4 Relay Outputs & 4-20 mA retransmit Output

XXX = Additional Options
 Blank = Standard Unit
 X = Optional Extra Bright Version

CONNECTIONS:



DIMENSIONS:



Notes:

1. Panel cutout required: 1.772" x 3.622" (45 mm x 92 mm)
2. Panel thickness: 0.040 - 0.250" (1.0 mm - 6.4 mm)
3. Mounting brackets lock in place for easy mounting
4. Clearance: Allow 6" (152 mm) behind the panel

NEMA 4X FIELD ENCLOSURES:

Thermoplastic NEMA 4X enclosure are constructed for indoor or outdoor use.



BD281

ACCESSORIES:

MODEL	DESCRIPTION
BDDRMK	DIN RAIL MOUNTING KIT FOR TWO EXPANSION MODULES
BDXM	4-RELAY EXPANSION MODULE
BDIO	4 DIGITAL INPUTS & 4 DIGITAL OUTPUTS MODULE
BDCCC	METER COPY CABLE
BDUSBSA	USB-SERIAL ADAPTER
BD281	1/8 DIN ENCLOSURE

Disclaimer

The information contained in this document is subject to change without notice. Blue Ribbon Corporation makes no representations or warranties with respect to the contents hereof, and specifically disclaims any implied warranties of merchantability or fitness for a particular purpose.